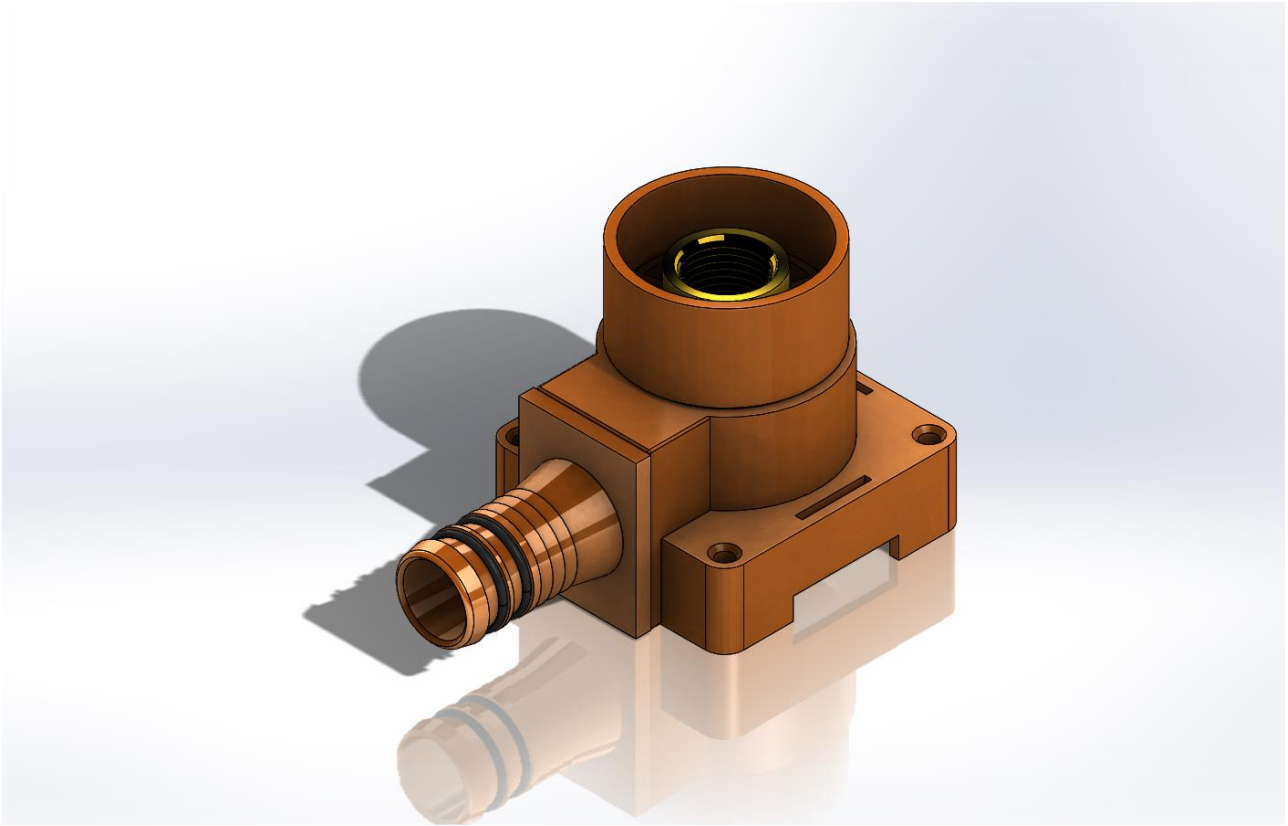


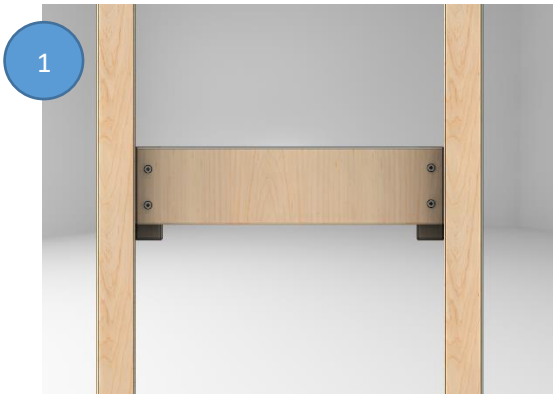


Tap wall box installation instructions

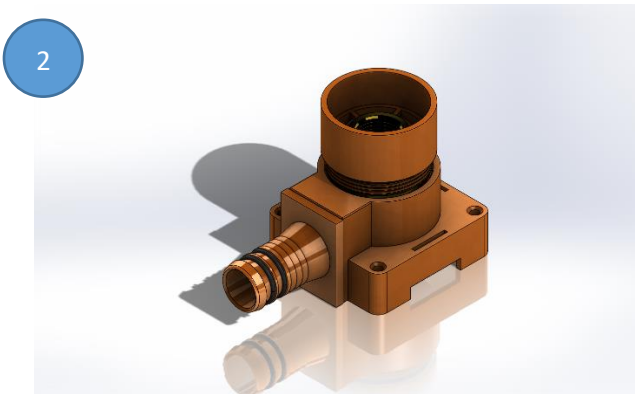


We recommend using reinforcement

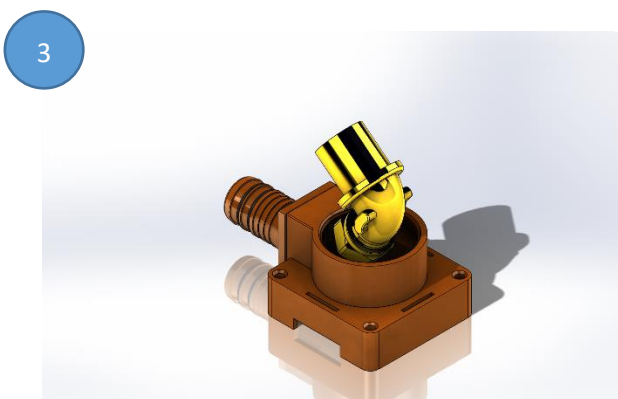
2015



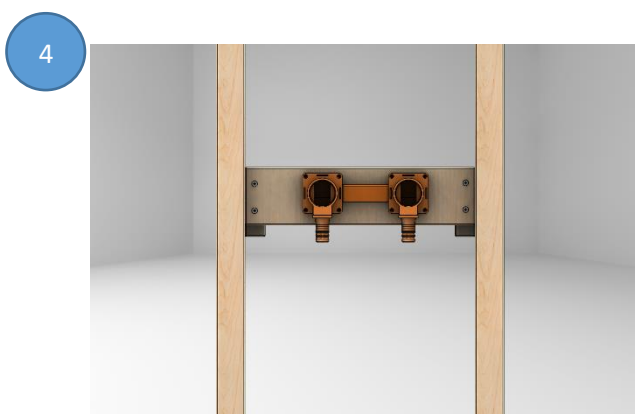
1
Place the wooden spacer to location where the wall box will be installed.



2
Disassemble the wall box



3
Detach the brass fitting

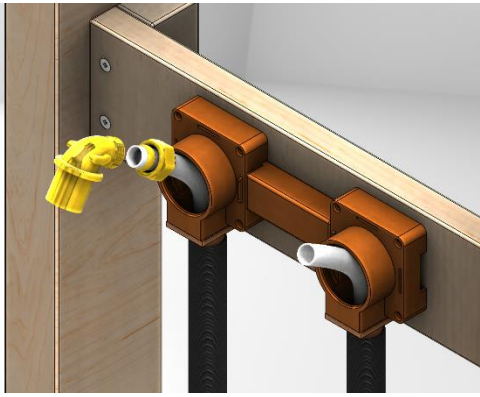


4
Attach the wall boxes to the right height and ensure the boxes to be in a straight angle. Follow the up-to-date installation instructions for your water tap product.



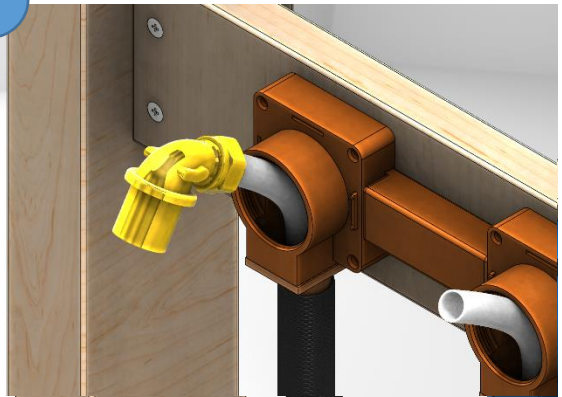
5
Cut the supply pipe in a straight angle to appropriate length to be fitted in the box. Pull the pipe trough the box and attach the pipe casing.

6



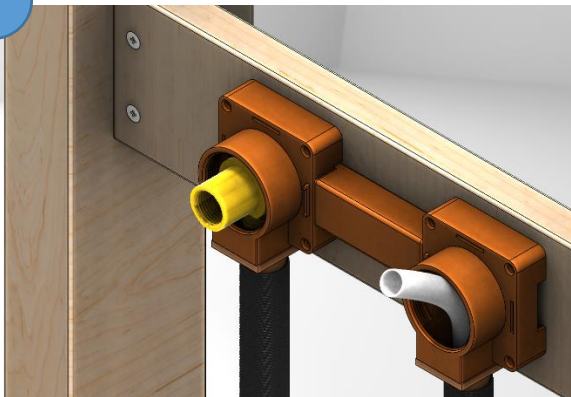
Fit the nut and the compression ring to the supply pipe.

7



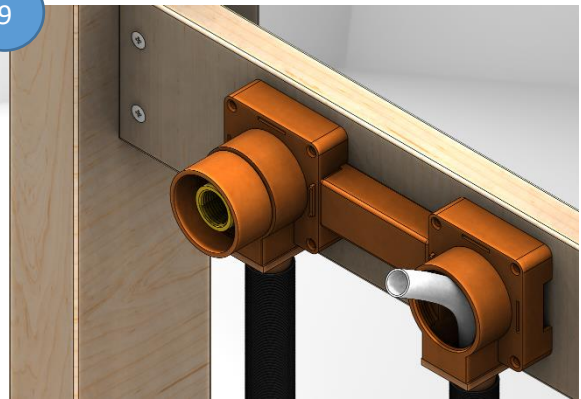
Ensure that the supply pipe is at the fitting end. Tighten the nut by hand then tighten the nut with a suitable spanner about 1½ turns. (Tighten more if the pressure test leaks)

8



Push the fitting and the pipe back to the wall box.

9



Reattach the box shell.

